

3G LIGHTING

3G-RC1M5

1 LIGHT MINI MADISON
TRIM & TRIMLESS

New construction, shallow housing, and IC housing options available
Trim fixture designed to conceal internal hardware
Trimless fixture features a proprietary aluminum mudding flange
50mm machined aluminum double gimbal. Adjustable and lockable
Regressed LED source for enhanced glare control
Lumen range up to 2200lm (80+, 90+, and 97+ CRI options)
1% dimming standard with several integral driver options



ORDERING INFORMATION

PROJECT:

TYPE:

CATALOG #:

DATE:

CAT. NO	LUMEN OUTPUT	CRI	COLOR TEMP	BEAM ANGLE	VOLTAGE
3G-RC1M5	10 - 1000 LUMENS	S80 - 80+CRI (STANDARD)	27K - 2700K	40D - 40°	UNV - 120/277V
	15 - 1500 LUMENS	H90 - 90+ CRI	30K - 3000K	60D - 60°	120 - 120V ¹
	22 - 2200 LUMENS	H97 - 97+ CRI	35K - 3500K 40K - 4000K		347 - 347V (0-10V ONLY)

LUMEN OUTPUT	FLANGE TYPE	GIMBAL FINISH	HOUSING INTERIOR	HOUSING TYPE
DIM - 0-10V (STANDARD 100-1%)	WT - WHITE (STANDARD)	NG - NATURAL ALUMINUM (STANDARD)	BK - BLACK (STANDARD)	NC - NEW CONSTRUCTION (NON-IC)
DHL2 - LUTRON HI-LUME LDE (100-1% ECOSYSTEM)	ST - SILVER	BG - BLACK	WH - WHITE	IC - IC HOUSING
DALI - DALI (100-1%)	BT - BLACK	WG - WHITE	CF - CUSTOM	SH - SHALLOW HOUSING (IC RATED - BLACK ONLY)
LE - PHASE DIMMING ¹ (TRIAC/ELV, 100-1%, 120V ONLY)	CT - CUSTOM			
D01 - 0-10V (100-0.1%)	XTR - TRIMLESS			
DMX - DMX (100-0%)				

OPTIONS

- CP - CHICAGO PLENUM
- AT - AIRTIGHT HOUSING (BLACK ONLY)
- BH - BAR HANGERS
- SF50 - SOFTENING LENS
- LS50 - LINEAR SPREAD
- HXB50 - BLACK HEXCELL LOUVER
- EMR - EMERGENCY BATTERY²

Maximum 3 optical accessories

¹ Forward phase/Reverse phase driver available in 120V only

² Emergency battery installed remotely by others. Not accessible through the inside of the fixture

FEBRUARY 11, 2020



3G-RC1M5

LIGHTING 1 LIGHT MINI MADISON TRIM & TRIMLESS

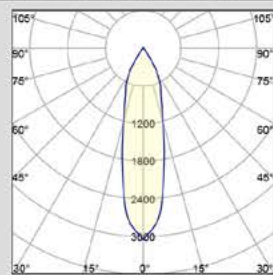
PERFORMANCE CHART BASED ON SOFTENING LENS (60° AND 3500K)

LUMEN OUTPUT	80+ CRI			90+ CRI			97+ CRI		
	DELIVERED LUMENS	SYSTEM WATTS	EFFICACY (LM/W)	DELIVERED LUMENS	SYSTEM WATTS	EFFICACY (LM/W)	DELIVERED LUMENS	SYSTEM WATTS	EFFICACY (LM/W)
1000LMs	1015	10.2	100	893	10.2	88	833	10.0	82
1500LMs	1400	13.9	101	1232	13.9	89	1148	13.9	83
2200LMs	2194	22.0	100	1931	22.0	88	1799	22.0	82

LUMEN OUTPUT ADJUSTMENT FACTORS (DOWNLIGHTS)	CCT	Multiplier
	2700K	0.945
	3000K	0.985
	3500K	1.00
	4000K	1.01

PHOTOMETRY

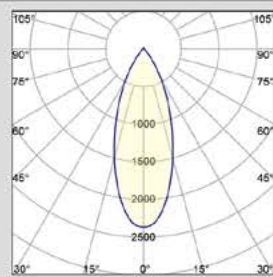
20D - 20° BEAM ANGLE



3G-RC1M5-15-S80-35K-20D

TOTAL LUMEN OUTPUT: 1500 LMs
 NUMBER OF LIGHTS: 1
 TOTAL WATTS: 14.2W
 TOTAL EFFICACY: 79LPW
 CRI: 80+
 CCT: 3500K

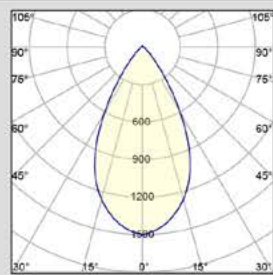
40D - 40° BEAM ANGLE



3G-RC1M5-15-S80-35K-40D

TOTAL LUMEN OUTPUT: 1500 LMs
 NUMBER OF LIGHTS: 1
 TOTAL WATTS: 13.9W
 TOTAL EFFICACY: 97LPW
 CRI: 80+
 CCT: 3500K

60D - 60° BEAM ANGLE



3G-RC1M5-15-S80-35K-60D

TOTAL LUMEN OUTPUT: 1500 LMs
 NUMBER OF LIGHTS: 1
 TOTAL WATTS: 13.9W
 TOTAL EFFICACY: 101LPW
 CRI: 80+
 CCT: 3500K





3G-RC1M5

LIGHTING 1 LIGHT MINI MADISON TRIM & TRIMLESS

TECHNICAL

HOUSING

New construction, shallow housing and IC housing options available
Housing fabricated in cold rolled steel. Standard black powder coated finish
Maximum ceiling thickness of 1". Consult factory for modifications
All housing options designed to be easily converted in field to trim or trimless with minimal components
Housings are rated for #12 AWG, (4 in, 4 out), 90°C conductors and through branch wiring

TRIM

Features a 3/4" removable trim assembly designed to conceal inner hardware

TRIMLESS

Aluminum mudding flange features a unique reveal that emulates drywall
Integral aluminum blocking support provided to ensure fixture is properly secured within ceiling structure

ADJUSTABILITY

Solid aluminum 50mm double gimbal with dual axis adjustability
Each double gimbal can be locked in place

OPTICS

Regressed LED source for enhanced glare control
Proprietary anodized, aluminum reflectors are field replaceable
Available in 40° and 60°

ELECTRICAL

Standard 0-10V, 100-1% dimming and 0.9 power factor
Lutron EcoSystem and eldoLED Dali options available with 100-1% dimming
120V Forward Phase/Reverse Phase driver option with 100-1% dimming
Fixture is pre-wired, thermally protected, and rated for through branch wiring
Electrical enclosures easily accessible through fixture aperture
Emergency Battery: 90 minutes

LED SYSTEM

Citizen LED module (field replaceable)
Color consistency < 2 SDCM
Standard (80+CRI). Optional (90+ and 97+CRI)
Available in 27K, 30K, 35K, and 40K
Average rated life of > 50,000 hours
5 year warranty

MOUNTING

Trim fixture designed for use in drywall, wood, acoustic ceiling tiles, and other architectural ceiling materials
Trimless fixture designed for use in drywall, mud-in ceiling applications
Butterfly brackets compatible with 1/2" x 1/2" channel, 1/2", 5/8", 3/4" bar hanger, 1/2" EMT, and furring strips (supplied by others)

LISTING

ETL listed and tested to UL standards. Suitable for dry and damp locations

WARRANTY

5 Year warranty on LED and drivers
Manufacturer 1 year warranty for defects in material and workmanship under normal use
Ambient temperature at fixture should not exceed 25°C



3G-RC1M5

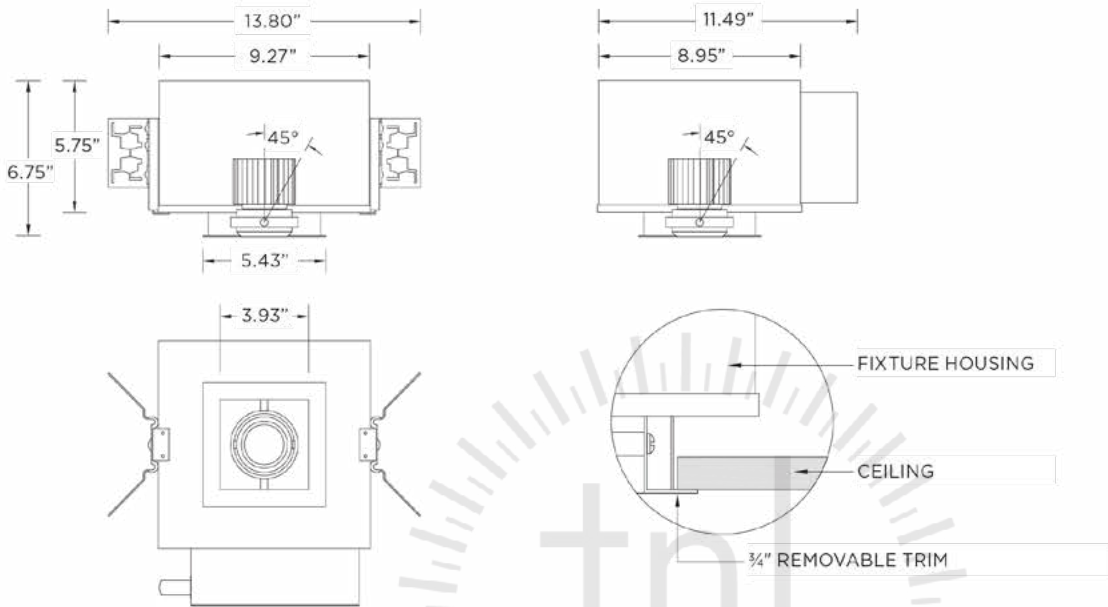
LIGHTING 1 LIGHT MINI MADISON TRIM & TRIMLESS

TRIM HOUSING OPTIONS

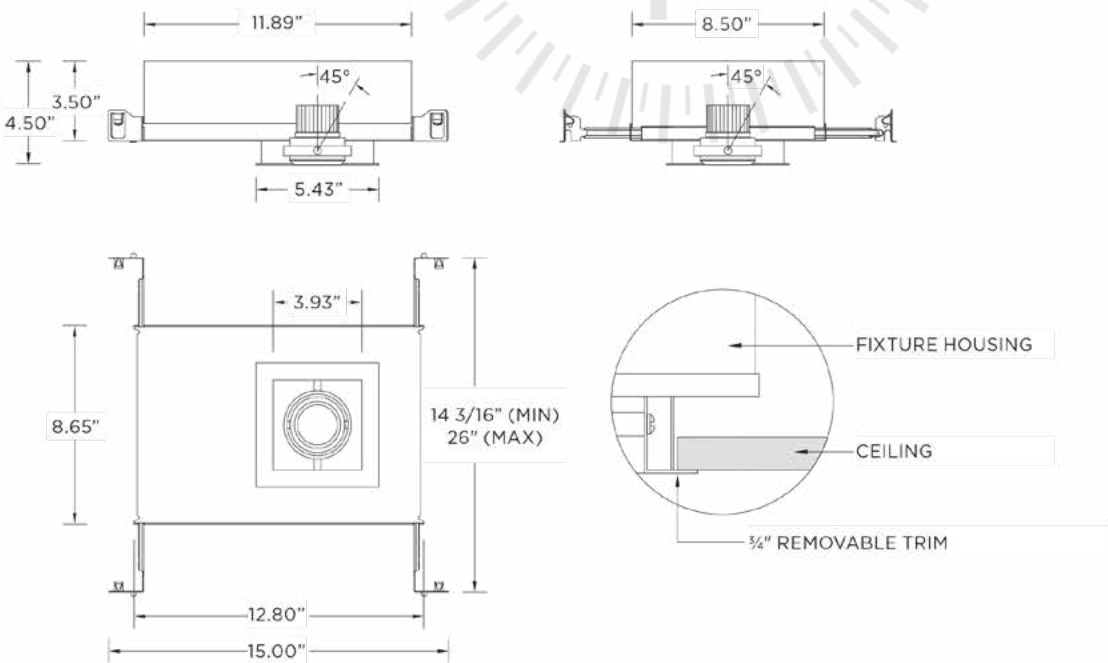
NC - New Construction (Non-IC)

IC - IC Housing

CP - Chicago Plenum Housing



SH - Shallow Housing (IC Rated)





3G-RC1M5

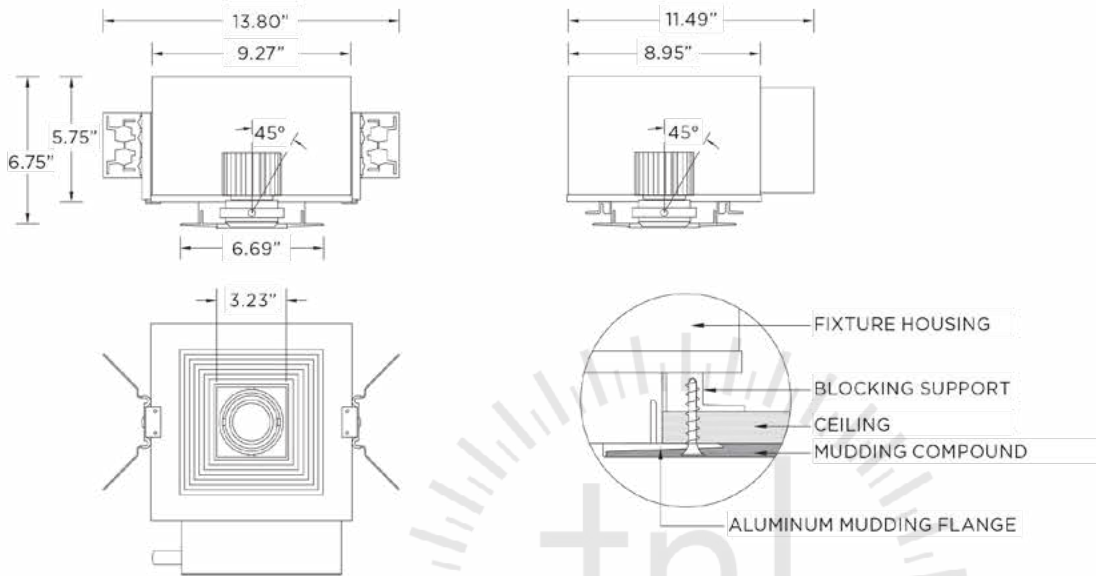
LIGHTING 1 LIGHT MINI MADISON TRIM & TRIMLESS

TRIMLESS HOUSING OPTIONS

NC - New Construction (Non-IC)

IC - IC Housing

CP - Chicago Plenum Housing



SH - Shallow Housing (IC rated)

