

COMPENDIUM

design Daniel Rybakken, 2014

**LUCE
PLAN**

Type: Suspension

Light source: LED mid-power 25W
 1268 lm @ 3000K brass or alu (delivered)
 994 lm @ 3000K black (delivered)
 Leading Edge or Trailing Edge dimming.
 Direct or indirect light

Product use: Indoor

Materials: Profile in extruded aluminum anodized in various colors.

Colors: Black, brass, aluminium

Description: Compendium stands out for the evocative graphic-sculptural impact of their slim silhouette. Direct or indirect installation.

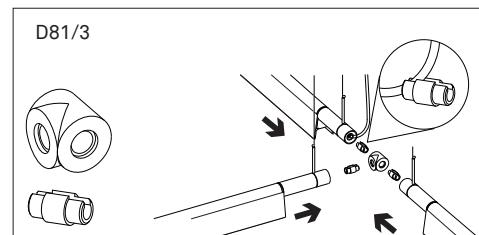
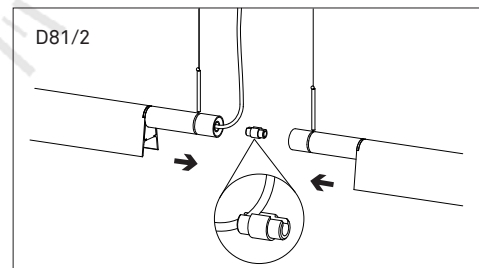
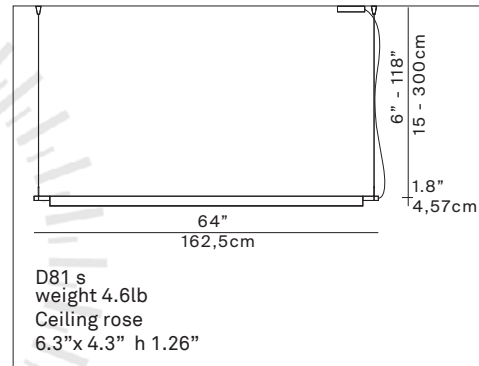
Marking: 

Reference code: Structure

D81s	1D810S000530	brass
	1D810S000520	alu
	1D810S000501	black

Mechanical accessory for bodies alignment

D81/2	1D810/200001	black
D81/3	1D810/300001	black



The LED lamps cannot be changed in the luminaire

