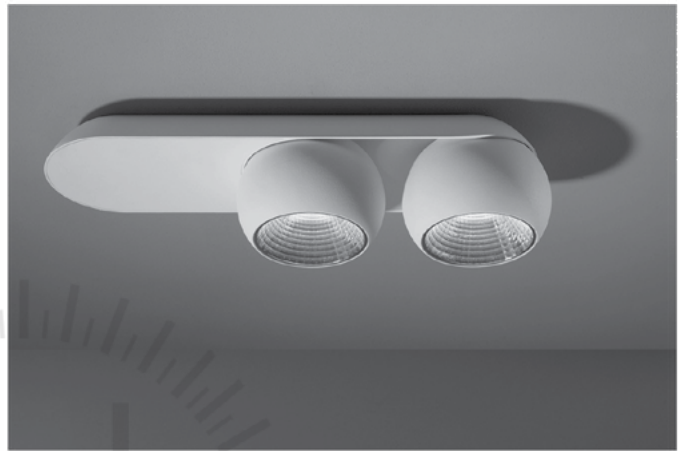


Marbul 2x LED 350mA 0-10V/Tre dim 1% DI

Marbul feels at home on both the wall and ceiling, which makes it ideal for both residential and hospitality projects. With fully integrated technology, it's a perfect ready-made solution for renovation projects as well. Marbul presents an ingenious design, where the body holds one or two globes, each with its own dedicated LED module. The elegant surface mounted luminaires enable you to direct light with a simple twist of each lamp-unit. Thanks to its streamlined gearhouse the 1, 2 or 3 spheres appear to float against the ceiling. The unique magnetic coverplate keeps screws and wires neatly out of sight.

DATE
CUSTOMER
PROJECT
TYPE
QTY



Ordering info

Product code	color Temp.		location Rating		driver		color	
MARBUL-2L	27K	2700K	DP	suitable for damp locations	0-10V-TD	0-10V/1% trailing edge dimmable	WHT	white struc
Marbul 2x LED 350mA 0-10V/Tre dim 1% DI	30K	3000K					GRD	donkey grey struc
	35K	3500K					BLK	black struc

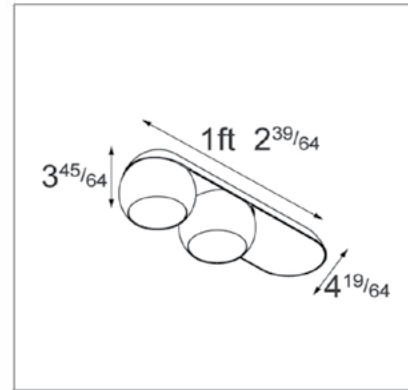
Your selection

Ordering code	Description	Modular reference
MARBUL-2L_27K_DP_0-10V-TD_BLK	Marbul 2x LED 2700K 350mA 0-10V/Tre dim 1% DI black struc	US_11501132

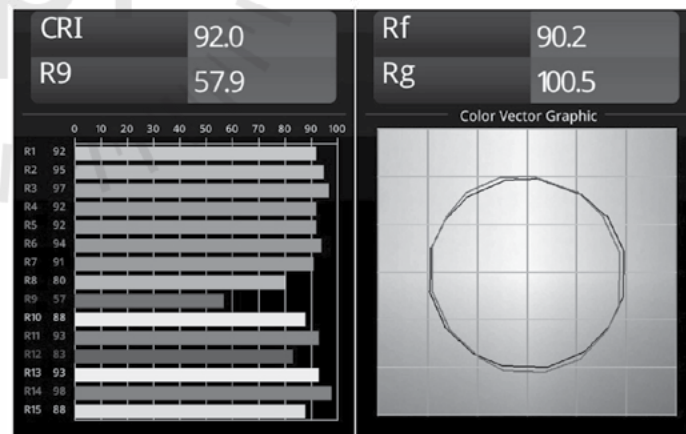
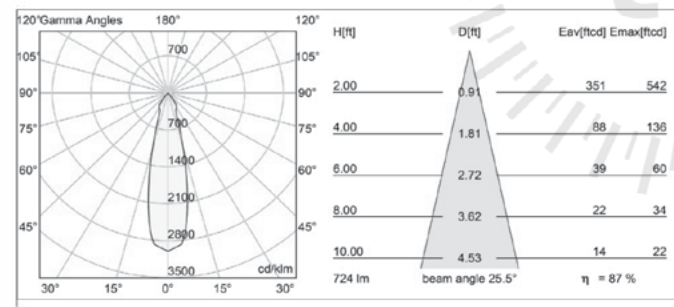


Specifications

Lamp	LED Array
CCT	2700K
Driver	driver included
Location rating	suitable for damp locations
CRI	90
Power supply	120-277V
Connected load	6W
Lumen	634lm
Efficacy	75lm/W
UGR	14
Remarks	! must be combined with magnetic reflector ! JA8 certified



Photometrics



REFLECTOR | Ordering info

Product code

O-MR-3.2 *
Optical, Magnetic reflector 3.2

Optics

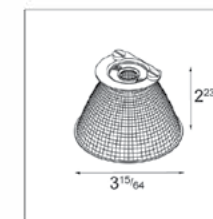
FL	flood (40°)
ME	medium (25°)
SS	super spot (10°)

Color

ALU	alu
CHA	cham-pagne
GLD	gold

Ordering Code

Ordering code input field



Magnetic reflector 3.2 - alu



Magnetic reflector 3.2 - champagne



Magnetic reflector 3.2 - gold