

# Trapz 2x LED 0-10V/Tre dim 1% DI

*With their indirect lighting and subtle shadow effects, wall fixtures are undoubtedly atmosphere creators. Trapz, our organic interpretation inspired by a trapezium, is no different. The flattened cylinder has been finished with two oblique openings, which allow you to see the contrasting interior of the luminaire and immediately create an unusual chiaroscuro effect. New colour combinations extend the Trapz LED range. Metallic blue - alu, silky grey - champagne, cacao bronze - black are bringing an even more authentic feel into the room.*

DATE  
CUSTOMER  
PROJECT  
TYPE  
QTY



## Ordering info

Product code	color Temp.		location Rating		driver		color	
<b>TRAPZ</b>	<b>27K</b>	2700K	<b>DY</b>	dry locations only	<b>0-10V-TD</b>	0-10V/1% trailing edge dimmable	<b>WHT-CHA</b>	white struc - champagne
Trapz 2x LED 0-10V/Tre dim 1% DI	30K	3000K					<b>GRS-CHA</b>	silky grey - champagne
	35K	3500K					<b>MBL-ALU</b>	metallic blue - alu
							<b>BRC-BL</b>	cacao bronze - black
							<b>BLK-GLD</b>	black struc - gold

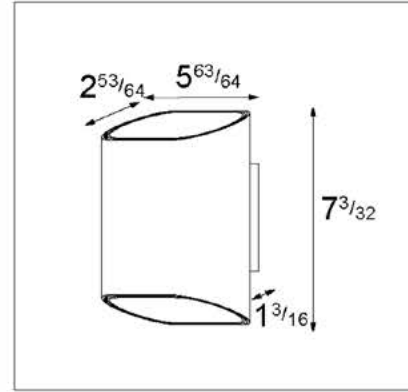
## Your selection

Ordering code	Description	Modular reference
<b>TRAPZ_27K_DY_0-10V-TD_BLK-GLD</b>	Trapz 2x LED 2700K 0-10V/Tre dim 1% DI black struc - gold	US_12593032

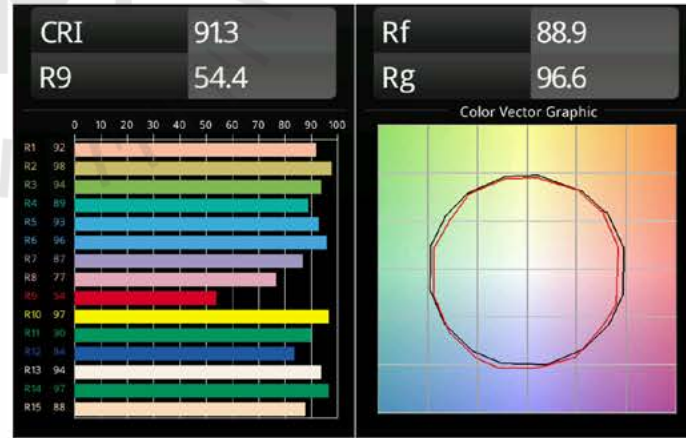
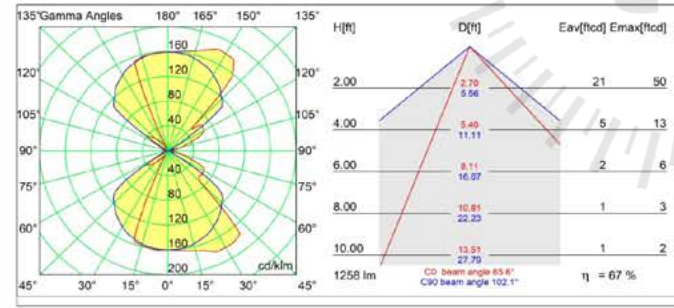


Specifications

Lamp	LED Array
CCT	2700K
Driver	driver included
Weight	2.9lbs
Location rating	dry locations only
CRI	90
Power supply	120-277V
Connected load	6.2W
Lumen	846lm
Efficacy	58lm/W
UGR	18
Remarks	! dry locations only ! including back plate 4"x4" - plaster finish ! ADA compliant



Photometrics



BACK PLATES | Ordering info

Product code

**BP-C-32\_DUELL-SPLIT-TRAPZ**  
Back Plate, Standard Cover, 3"x2" - Duell / Split / Trapz

**BP-C-44\_DUELL-SPLIT-TRAPZ**  
Back Plate, Standard Cover, 4"x4" - Duell / Split / Trapz

Color

BLK	black struc
WHT	white struc

Ordering Code

